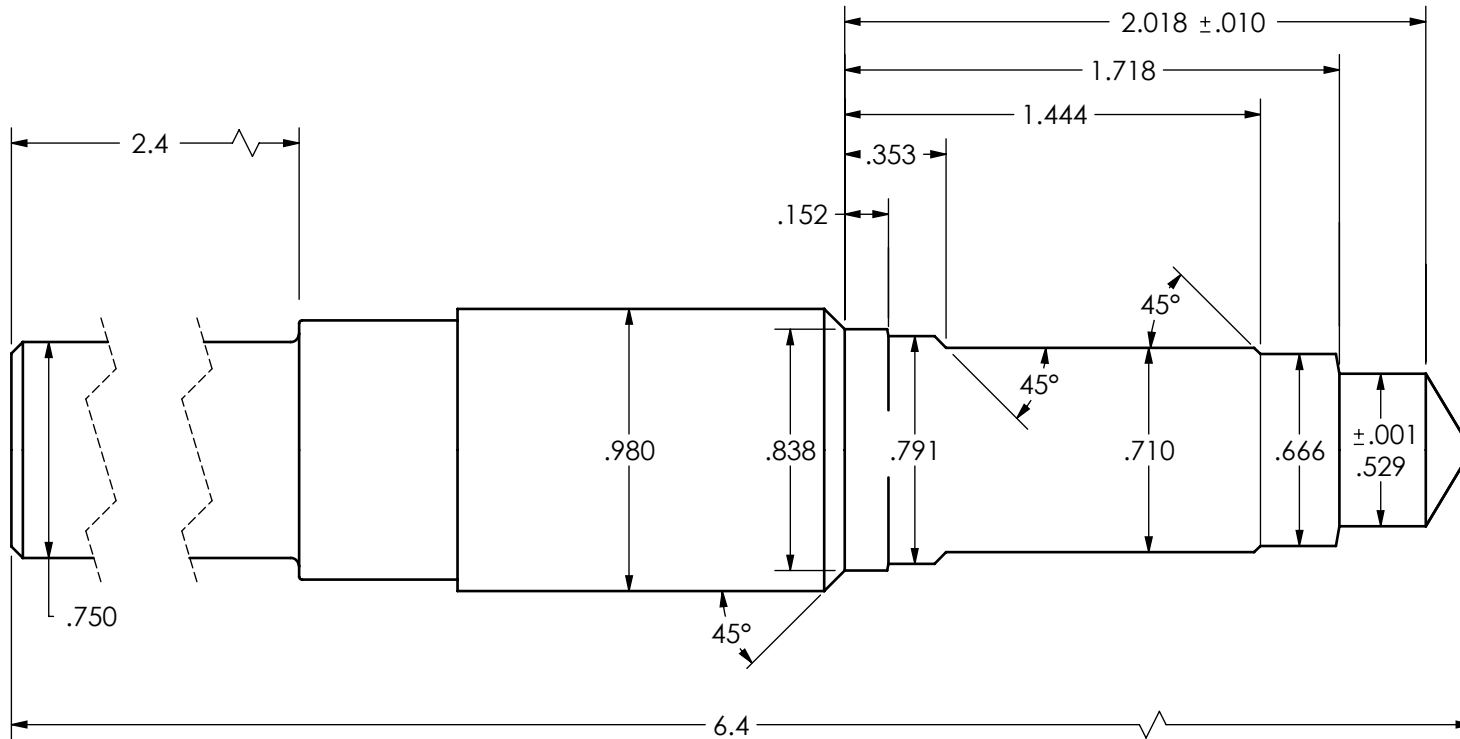


REVISIONS	
REV.	DESCRIPTION

ROUGHING STEP DRILL



TITLE: HSS ROUGH STEP DRILL

MATERIALS:
1. M2 HSS

TOLERANCES:

.x = ± 0.030
.xx = ± 0.010
.xxx = ± 0.005
.xxxx = ± 0.0005
Deg. = $\pm 1^\circ$

DOC: 07/22/15

Scale: 3:2

Sheet: 1 OF 1

Drawn: DNC

Check: DNC

Scientific Cutting Tools
110 Easy St.~Simi Valley, Ca 93065
(805) 584-9495~FAX(805)584-9629
E-Mail: engineering@sct-usa.com
www.sct-usa.com

DWG#: T-10A-DRILL