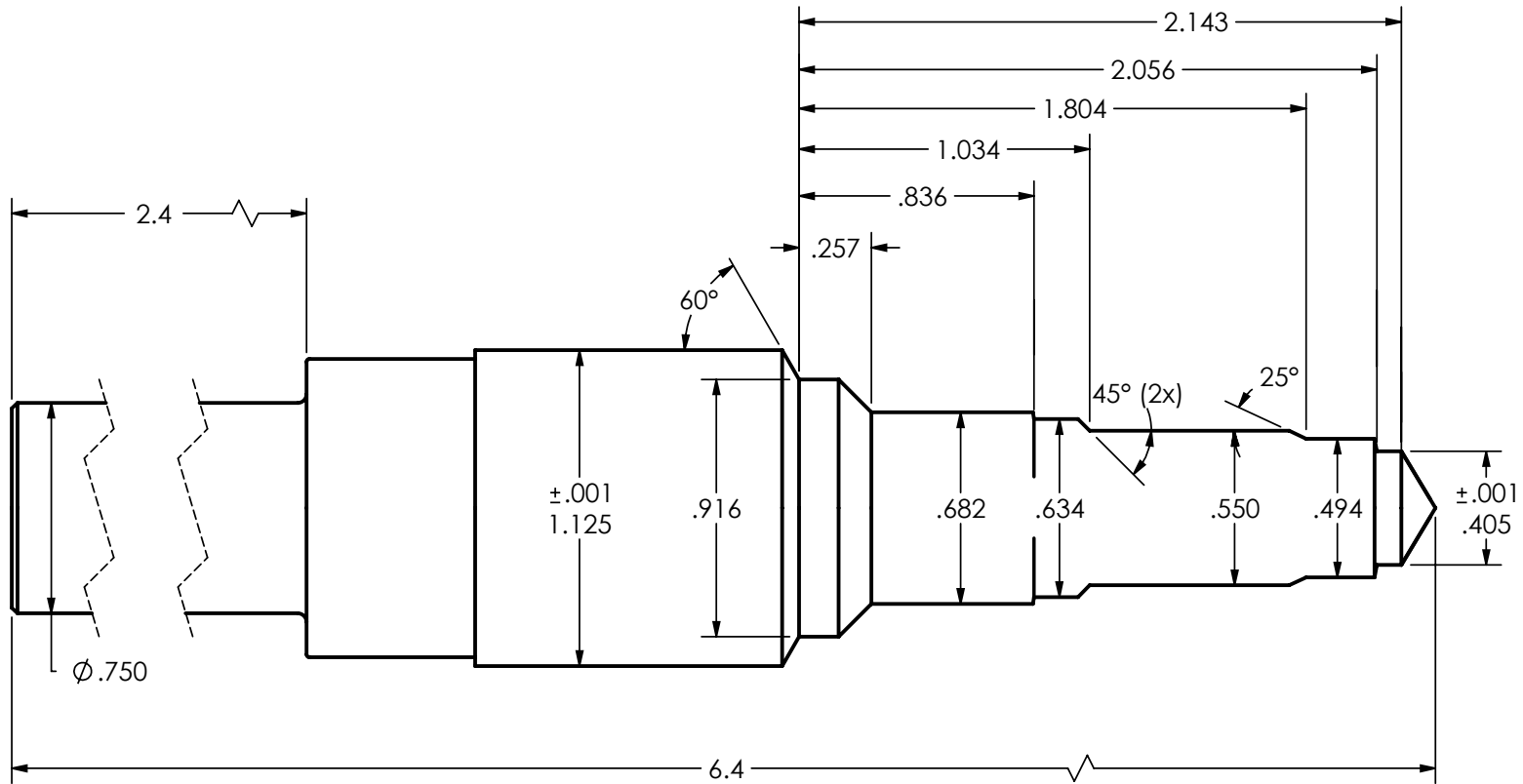


ROUGHING STEP DRILL



TITLE: HSS ROUGH STEP DRILL

MATERIALS:

1. M2 HSS

TOLERANCES:

.x = ± 0.030
 .xx = ± 0.010
 .xxx = ± 0.005
 .xxxx = ± 0.0005
 Deg. = $\pm 1^\circ$

DOC: 7/23/2015

Scale: 3:2

Sheet: 1 OF 1

Check: DNC

Drawn: DNC

DWG#: T-163A-DRILL

Scientific Cutting Tools
 110 Easy St.~Simi Valley, Ca 93065
 (805) 584-9495~FAX(805)584-9629
 E-Mail: engineering@sct-usa.com
www.sct-usa.com