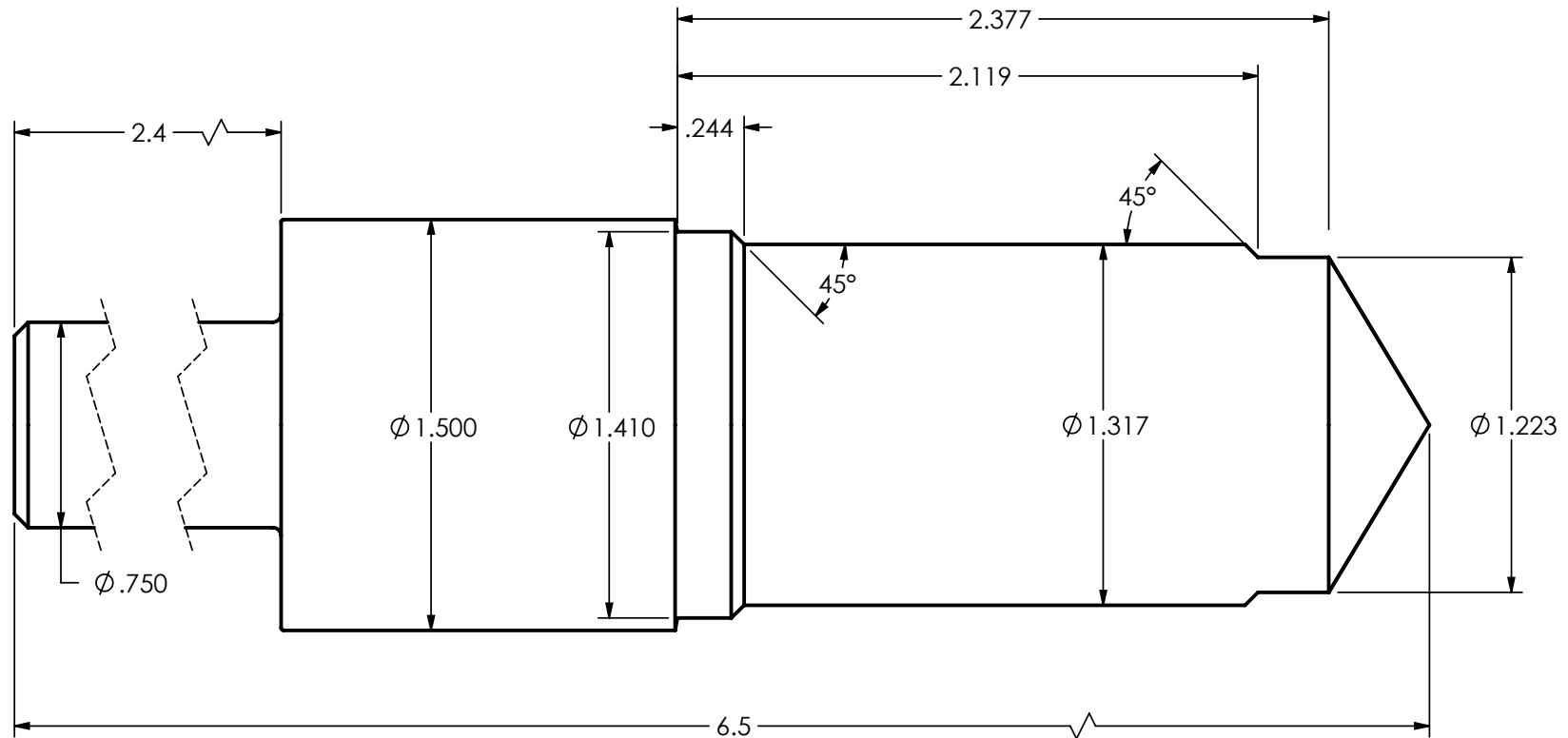


REVISIONS	
REV.	DESCRIPTION

ROUGHING STEP DRILL



TITLE: HSS ROUGH STEP DRILL	MATERIALS: 1. M2 HSS	TOLERANCES: .x = ± 0.030 .xx = ± 0.010 .xxx = ± 0.005 .xxxx = ± 0.0005 Deg. = $\pm 0.25^\circ$	DOC: 7/23/15		Scientific Cutting Tools 110 Easy St.~Simi Valley, Ca 93065 (805) 584-9495~FAX(805)584-9629 E-Mail: engineering@sct-usa.com www.sct-usa.com
			Scale: 3:2		
			Sheet: 1 OF 1		
DWG#: T-16A-DRILL			Drawn: DNC		
			Check: DNC		