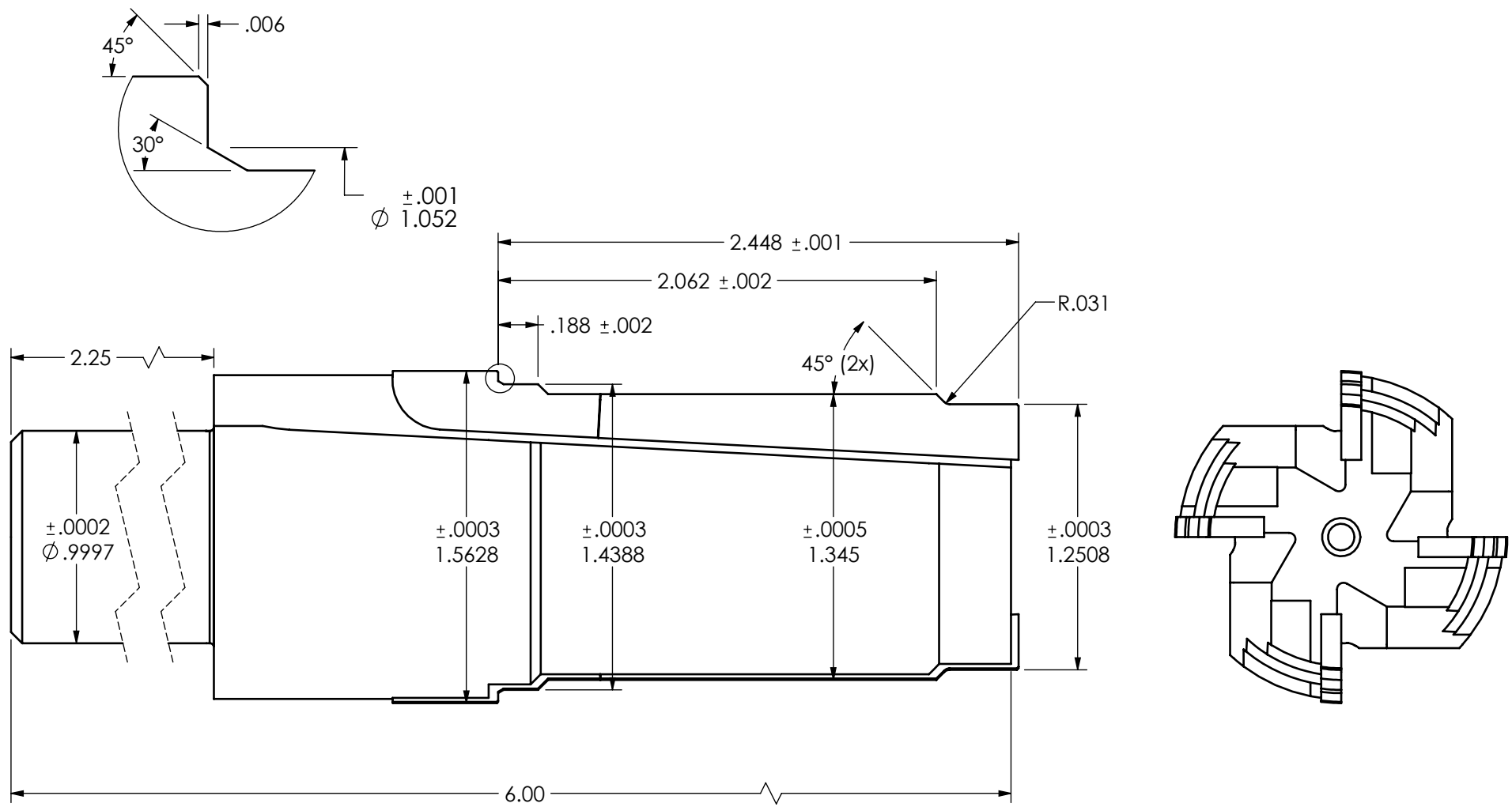


T-16A-FINISH

REVISIONS	
REV.	DESCRIPTION



TITLE: CAVITY TOOL	MATERIALS: 1. STEEL BODY 2. CARBIDE INSERTS	TOLERANCES: .x = ±0.030 .xx = ±0.010 .xxx = ±0.005 .xxxx = ±0.0005 Deg. = ±0.25°	DOC: 07/21/15	TIR 0.0005 MAX.	Scientific Cutting Tools 110 Easy St.~Simi Valley, Ca 93065 (805) 584-9495~FAX(805)584-9629 E-Mail: engineering@sct-usa.com www.sct-usa.com
			Scale: 7:5		
			Sheet: 1 OF 1		
DWG#: T-16A-FINISH			Drawn: DNC		
			Check: DNC		