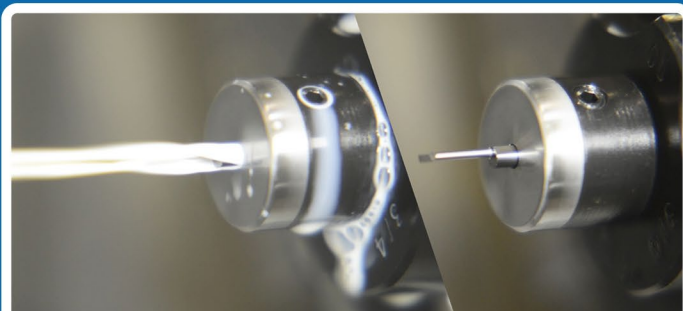


Coolant Innovation to the Rescue

The brand new CRT holder from SCT is here and ready to become part of your cutting tool arsenal. With Coolant Ring Technology, this holder is designed to create a ring of coolant around the tool. An ample supply of coolant surrounds the circumference of the boring bar, enabling coolant to find the path of least resistance and access the bottom of the bore.



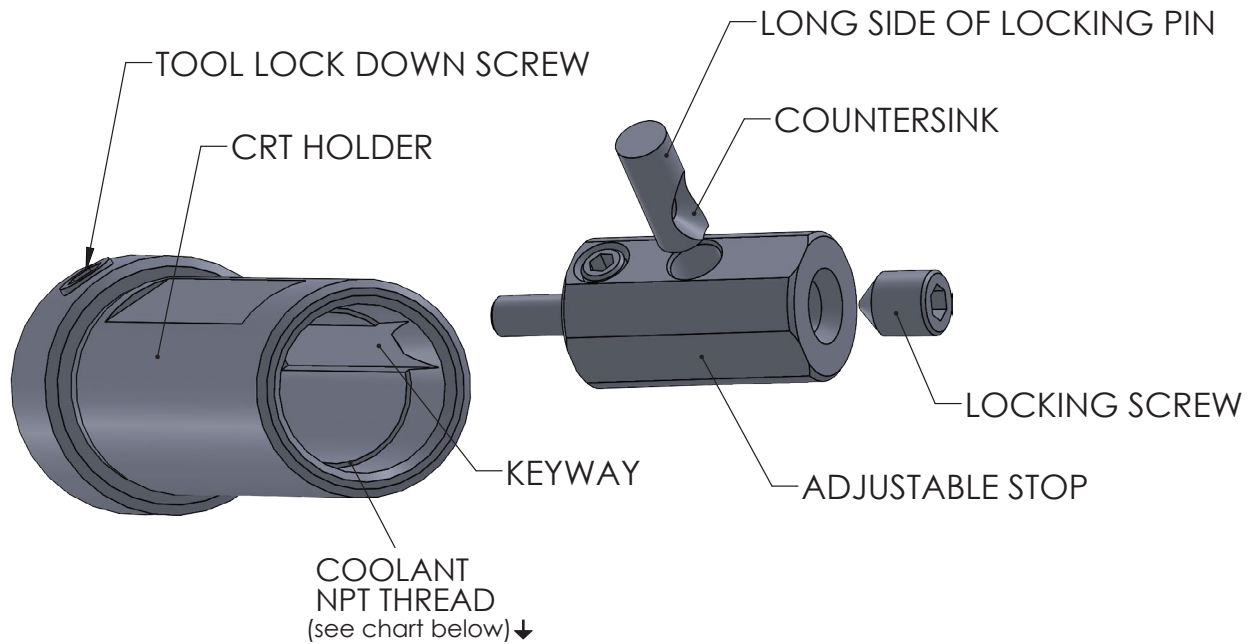
Left: CRT Holder in Action \ Right: Boring bar in CRT Holder

CRT Holders by Scientific Cutting Tools

- Made from quality heat-treated steel
- Features two flats on shank
- Two lock-down screws for max rigidity
- Surrounds tool in tube of coolant
- Improves chip evacuation
- Helps to resolve heat-related issues

The CRT Holder by Scientific Cutting Tools

Coolant Ring Technology



CRT Holder Information

To remove stop: Turn locking screw, with a 3/32 hex key, 1/2 turn counter clockwise. Do not turn locking screw more than one turn or remove locking screw.

To insert adjustable stop into the holder: Turn locking screw clockwise until it bottoms out, do not over tighten. Turn locking screw counter clockwise one turn. Line up the locking pin with the keyway in the holder and slide the stop into the holder. Turn the locking screw clockwise until the locking pin bottoms against the keyway.

To set the stop location: Insert a tool into the holder at the desired length of overhang and tighten the tool lock down screw. Slide the stop in the holder until it comes into contact with the back of the tool and tighten the locking screw. Now all other tools will repeat to the same overhang.

If the locking pin is removed from the stop, insert the locking pin into the stop with the countersink facing the locking screw and the long side to the outside of the stop. When the screw is tightened the pin should rise up out of the hole. Snug the locking screw and back off one turn. Now the stop can be inserted into the holder.

HOLDER	NPT
CRT500, CRT12M	1/8 NPT
CRT625, CRT16M	1/4 NPT
CRT750, CRT20M, CRT22M	3/8 NPT
CRT1000, CRT25M	1/2 NPT



Scientific Cutting Tools

Toll Free: 800-383-2244

International: 805-584-9495

Website: www.sct-usa.com